



Control. Confidence. Performance.

Experience the power and grace of the **WHITESTAR Signature™** System
1-877-AMO-4-LIFE • www.WHITESTARSignature.com

The **WHITESTAR Signature™** System is a modular ophthalmic microsurgical system that facilitates anterior segment (cataract) surgery. Risk and complications may include broken ocular capsule or corneal burn. Please reference the **WHITESTAR Signature™** System Operator's Manual for more information on intended use, warnings, and precautions. Caution: Federal (U.S.A.) law restricts this device to sale by or on the order of a physician.

Images copyright of Vadim Volim, 2010 used under license from Shutterstock.com.

WHITESTAR Signature, Ellips, the Ellips logo, Fusion, and the Fusion logo are trademarks owned by or licensed to Abbott Laboratories, its subsidiaries or affiliates. Infiti is a trademark of Alcon Laboratories, Inc.

Stellaris is a trademark of Bausch & Lomb, Inc. Bluetooth is a trademark of Bluetooth SIG.

©2010 Abbott Medical Optics Inc., Santa Ana, CA 92705 www.AbbottMedicalOptics.com

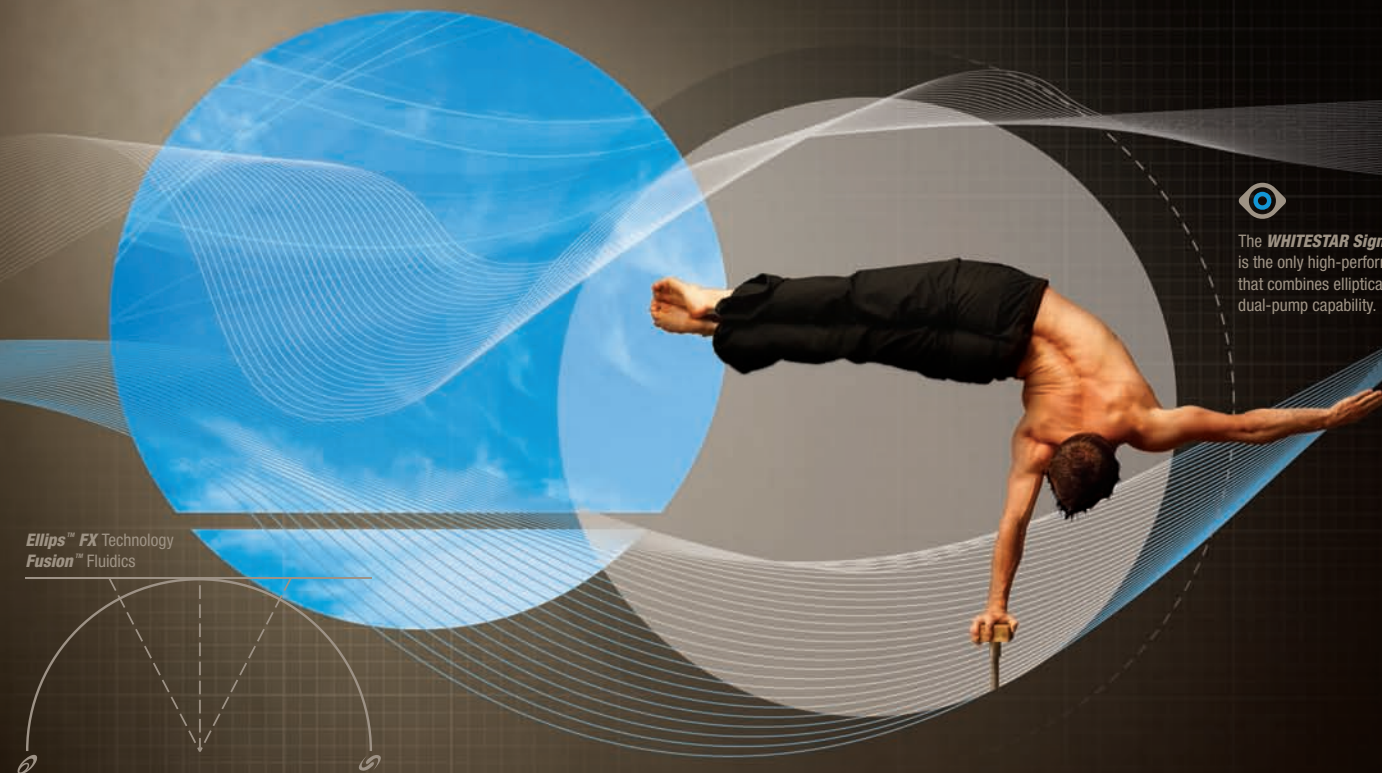
Reorder: PHA10-06

2010.03.10-CT1822

 **Abbott**
Medical Optics



Control. Confidence. Performance.



The **WHITESTAR Signature™** System is the only high-performance system that combines elliptical energy with dual-pump capability.

 **Abbott**
A Promise for Life



Master the art of perfect balance through the **WHITESTAR Signature™** System's combined energy and fluidics management.

- **Ellips™ FX** Technology takes lens extraction to a higher level by simultaneously blending longitudinal and transversal modalities for smoother cutting and excellent efficiency.
- **Fusion™** Pump provides unmatched flexibility, allowing you to easily switch between both peristaltic and venturi pumps during your procedures.
- **Fusion™** Fluidics technology redefines rapid response by anticipating occlusions and preemptively adjusting the vacuum before occlusions break, giving you better chamber stability and improved safety.

An elegant design for control, confidence, and performance. This is the beauty of the **WHITESTAR Signature™** System.



Control. Confidence. Performance.

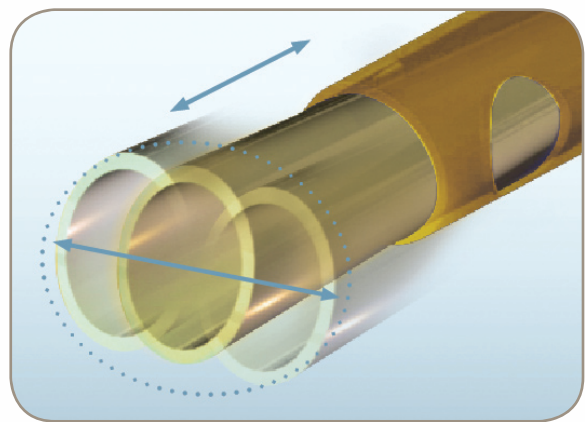
The **WHITESTAR Signature™** System is a modular ophthalmic microsurgical system that facilitates anterior segment (cataract) surgery. Risk and complications may include broken ocular capsule or corneal burn. Please reference the **WHITESTAR Signature™** System Operator's Manual for more information on intended use, warnings, and precautions. Caution: Federal (U.S.A.) law restricts this device to sale by or on the order of a physician.

Taking Lens Extraction to a Higher Level of Performance

Ellips™ FX Technology

With the total approach to lens extraction technology, *Ellips™ FX* Technology is designed specially for smoother cutting and excellent efficiency—all without having to change your preferred technique.

- Leading-edge technology offers superb performance and efficient lens extraction¹
- Uniquely delivers simultaneous blending of transversal and longitudinal modalities
- Enhances followability and effectively holds fragments at the tip end
- Provides smooth, efficient cutting for hard and soft lenses¹
- Delivers exceptional versatility with curved or straight tip styles to match your preferred technique



Ellips™ FX Transversal Ultrasound delivers an optimized stroke path and increased efficiency for improved performance during lens extraction.¹

*"In my experience, I've found that the cutting efficiency of the **Ellips™ FX** gives me superior performance during lens extraction, offering excellent followability and smoother cutting."*

*— Roger Steinert, MD
Irvine, California*

Reference
1. Data on file. Santa Ana, Calif: Abbott Medical Optics Inc.

ELLIPS™ FX
TRANSVERSAL ULTRASOUND





Attain Unmatched Flexibility and Control

Fusion™ Pump

With truly versatile dual-pump technology, the *Fusion™* Pump allows you to access both venturi and peristaltic capabilities with unparalleled ease through a single cassette.



The *Fusion™* Pump offers both peristaltic and venturi pumps in a convenient single cassette for more control at all times during lens removal procedures.

- Peristaltic modality provides exceptional control and performance
- Vacuum-based venturi pump delivers fast and efficient tissue removal
- Variable vacuum rise time provides the capability to modulate venturi fluidic response
- Unique cassette design provides surgeons the ability to easily switch between peristaltic and venturi pumps during key segments of the case

“During my procedures, I can utilize the peristaltic modality during the initial stages and then switch to the venturi pump for tissue removal.

This gives me the ability to precisely control every aspect of lens extraction.”

*— Y. Ralph Chu, MD
Bloomington, Minnesota*

Redefining Rapid Response for Increased Confidence

Fusion™ Fluidics

By thinking ahead, *Fusion™* Fluidics technology can anticipate occlusions and preemptively adjust the vacuum before the occlusion breaks. This exclusive feature maintains intraocular pressure and vastly improves chamber stability and safety.¹



- Advanced surge-protection technology is designed to facilitate high-vacuum and flow techniques
- Vastly improves chamber stability¹
- Delivers significantly better surge protection than competitive systems¹
- Reduces phaco time and increases efficiency during surgery

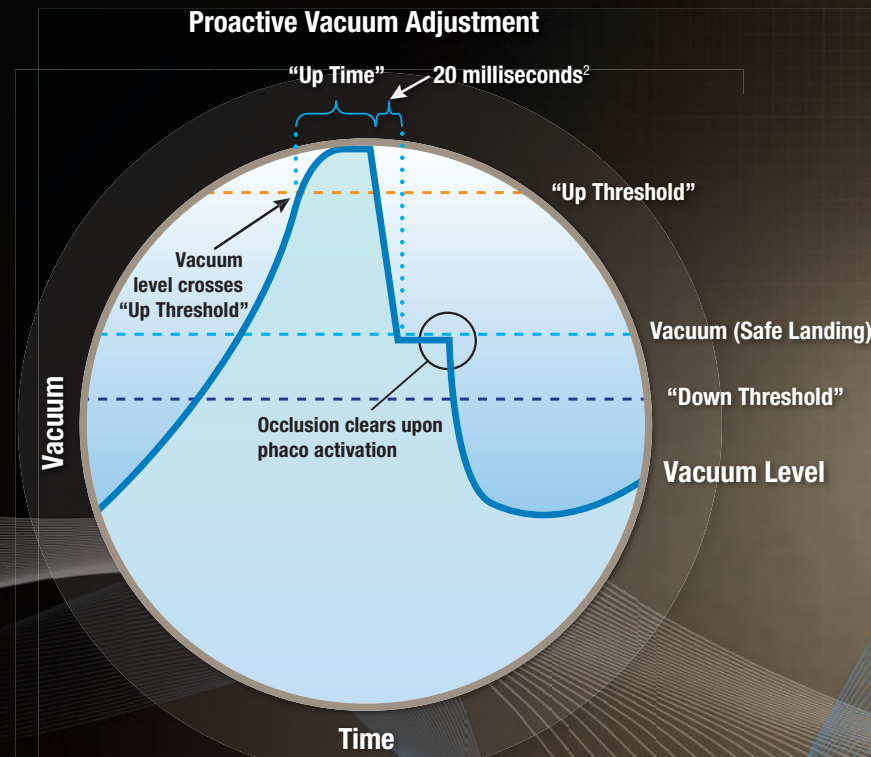


“The Fusion™ Fluidics technology provides stable intraocular pressure by anticipating occlusion and adjusting for any breaks, which gives me assurance of chamber stability and safety.”

— Donald R. Nixon, MD, FRSC
Ontario, Canada

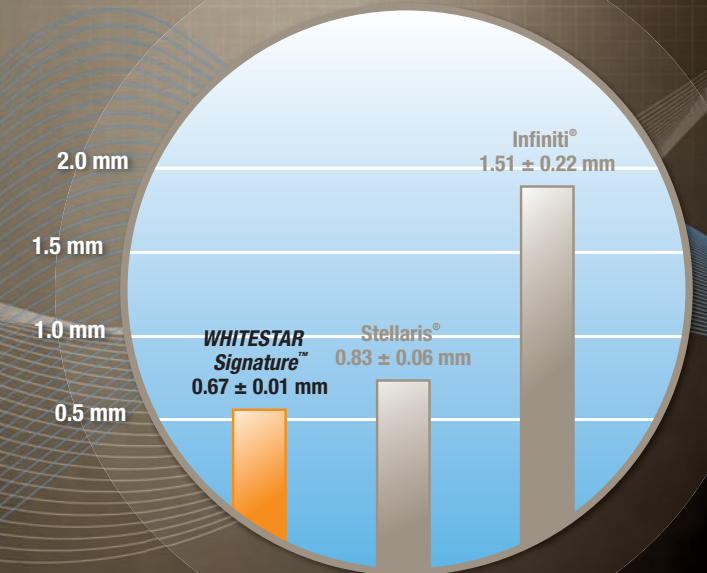
References

- Georgescu D, Kuo AF, Kinard KI, Olson RJ. A fluidics comparison of Alcon Infiniti, Bausch & Lomb Stellaris, and Advanced Medical Optics Signature phacoemulsification machines. *Am J Ophthalmol.* 2008;145(6):1014-17.
- Data on file. Santa Ana, Calif: Abbott Medical Optics Inc.



When the “Up Time” has elapsed, *Fusion™* Fluidics proactively steps down the vacuum to the predefined level before the occlusion breaks.

Delivering up to 56% Surge Protection



In an independent study measuring fluidics performance, the *WHITESTAR Signature™* System delivered 56% less postocclusion surge than the Alcon Infiniti® System and 19% less than the Bausch & Lomb Stellaris® System.¹

Access the Convenience of the Total Package

Advanced Control Footpedal

- Features both traditional and Dual Linear functionality
- Intuitive touchscreen set-up and customizable positions
- Automatic system detection of footpedal



Surgical Media Center

- Innovative teaching and data management suite to capture real-time surgical procedural video and data
- Unique HD capabilities for analysis and presentation of surgical recordings
- Customizable video overlay and recall capabilities



High-speed Vitrectomy

- Safe and efficient with maximum cut rate of 2,500 cpm
- Reliable vitrectomy cutter options include 20 g, 23 g, and 25 g for all techniques, including coaxial and sutureless pars plana
- Convenient programmable footpedal functionality



WHITESTAR Signature™ Accessories

- Quick one-touch prime/tune cycle to expedite OR turnover
- Simple upload of individual surgeon settings from memory stick
- Innovative LCD touchscreen monitor, wireless remote through Bluetooth® technology, and multilingual voice communication
- Easy one-step loading for tubing cassette

Comprehensive Customer Support

- Commitment to outstanding technical support and services
- Highly qualified and experienced technicians assist with everything from set-up to settings configuration
- Full-time, dedicated AMO Direct Field Service Representatives provide extensive phaco knowledge and support



Control. Confidence. Performance.